

Spinplus Centrifuge

Spinplus-6 is the most powerful and competitive centrifuge in its class. It can be placed 6 of 15ml conical tubes or glass tubes, 8 of 15ml conical tubes or glass tubes

The speed can be 100- 5000RPM, the LCD display with ability to change between RPM and RCF.

The centrifuge is ideal for the separation of serum, plasma, urea, blood samples and other routine applications in hospital and research laboratories.



- Safety lid-lock
- LCD display showing
- Open lid automatically
- The operation interface simple and easy
- RPM and RCF can be switched in display showing
- 8 or 6 of 15ml conical tubes with screw caps can be placed

Feature

Gentle braking at low speeds with efficient separation acceleration and braking time(20-80 seconds) can be adjustable for the 0-5000rpm speed

The LCD display with ability to change between RPM and RCF

Separate short spin button for convenient and quick spins .

Automatic release the lid when operation has stopped to save processing time

Operation can be timed from 10 seconds to 99 minutes with bell signal after finish operation

Safety lid-lock prevent opening the centrifuge lid until the rotor has stopped spinning

1 year warranty

Safety lid-lock Automatic opening



Operation interface succinctly and clearly

Specification

Model	TC-Spinplus
Power supply	110V-60Hz or 230V-50/60Hz
Power requirement	40W
Max. rotational speed(rpm)	100-5000rpm(in 1000rpm increments)
Relative centrifugal force(rvf)	3074xg
Timer	15 sec--99min
Acceleration time to max.speed	20-80 seconds available
Braking time from max.speed	20-80 seconds available



6 tubes metal rotor



8 tubes metal rotor

Order information

Cat.No.	Code No.	Specification
8011601	TC-Spinplus-6	220V 50Hz include the 15mlx6 rotor
8011602	TC-Spinplus-6	110V 60Hz include the 15mlx6 rotor
8011603	TC-Spinplus-8	220V 50Hz include the 15mlx8 rotor
8011604	TC-Spinplus-8	110V 60Hz include the 5mlx12 rotor
8011605	TC-Spinplus-12	220V 50Hz include the 5mlx12 rotor
8011606	TC-Spinplus-12	110V 60Hz include the 5mlx12 rotor
8011600-1	Rotor(15mlx6)	For 15mlx6(D12x75 glass tube)
8011601-2	Rotor(15mlx8)	For 15ml conical tube with screw caps
8011601-3	Rotor(15mlx12)	For 5ml conical tube with screw caps

Magic centrifuge adapter

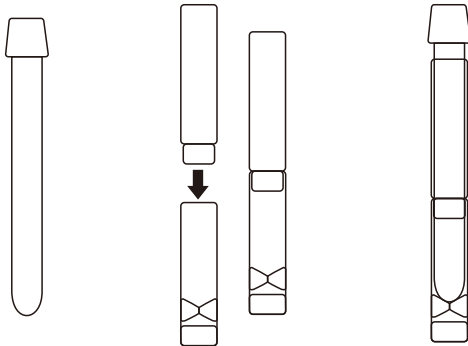
The adjustable centrifuge adapters are ideal for properly supporting both 7ml (13 x100) and 5ml (13-75mm) tubes in a centrifuge rotor.



Cat.No.	Code No.	Specification
8011601-8	Adapter	15ml Centrifuge adapter

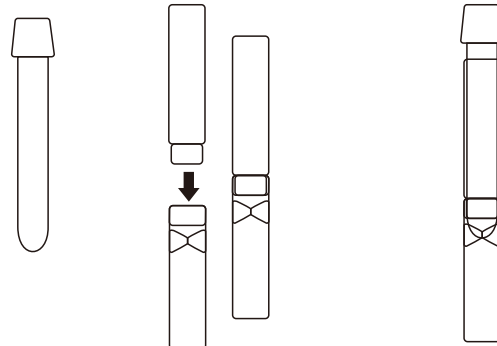
Specialise in researching and developing medical centrifuge, laboratory centrifuge, mini centrifuge, it can meet kinds of requirement.

7ml Tube (13X100mm) Align the two adapter parts as below Insert the tube into the adapters as shown



7ml Tube Configuration

5ml Tube (13X75mm) Align the two adapter parts as below Insert the tube into the adapters as shown:



5ml Tube Configuration

Order information

Cat.No.	Part No.	Specification
8011601	TC-Spinplus-6	200V 50Hz include the 15mlX6 rotor
8011602	TC-Spinplus-6	100V 60Hz include the 15mlX6 rotor
8011603	TC-Spinplus-8	200V 50Hz include the 15mlX8 rotor
8011604	TC-Spinplus-8	100V 60Hz include the 15mlX8 rotor
8011605	TC-Spinplus-12	200V 50Hz include the 15mlX12 rotor
8011606	TC-Spinplus-12	100V 60Hz include the 15mlX12 rotor
8011601-1	Rotor(15mlX6)	For 15mlX6(D12X75 glass tube)
8011601-2	Rotor(15mlX8)	For 15ml conical tube with screw caps
8011601-3	Rotor(15mlX12)	For 5ml conical tube with screw caps